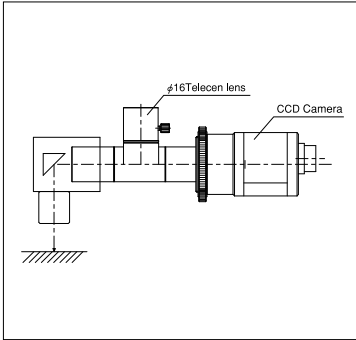


Prism Adapter

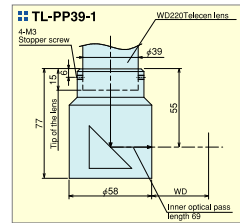
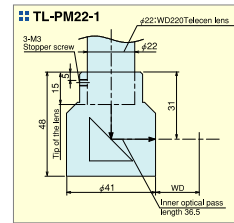
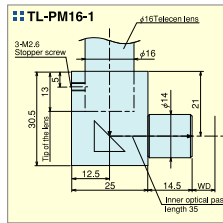
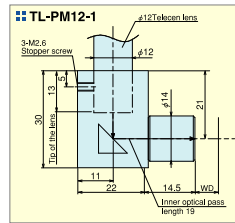
Prism Adapters for Myutron's telecentric lenses.

They can bend optical axis, and can recognize narrow pitch marks between two points on a micro object.

Prism Adapter

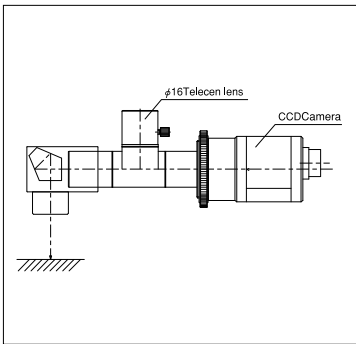


Prism Adapters for Myutron's telecentric lenses. They can bend optical axis, and can recognize narrow pitch marks between two points on a micro object.

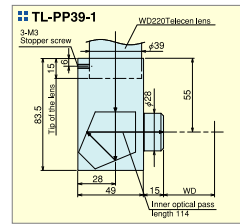
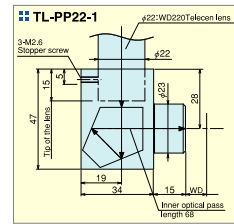
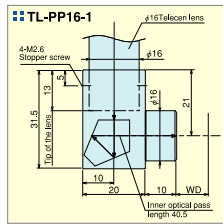
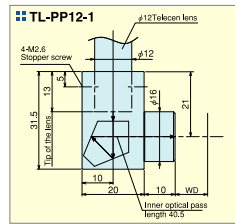


Model	Compatible model
TL-PM12-1	φ12Telecentric Series
TL-PM16-1	φ16Telecentric Series
TL-PM22-1	WD220Telecentric φ22
TL-PM39-1	WD220Telecentric φ39

90° slide-looking rectangular mirror type

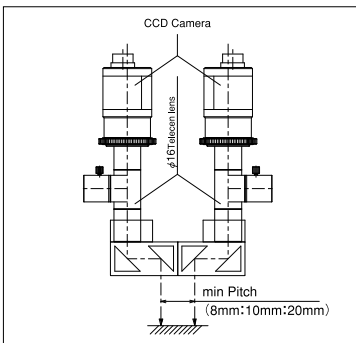


Optical axis can be bent 90 degrees. Effective when there is no space above the object. Monitored image is a mirror image.

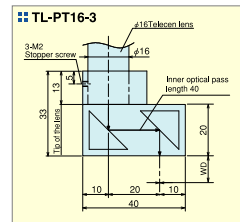
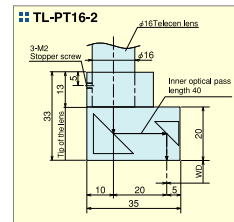
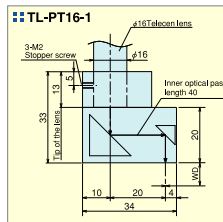
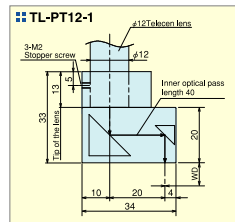


Model	Compatible model
TL-PP12-1	φ12Telecentric Series
TL-PP16-1	φ16Telecentric Series
TL-PP22-1	WD220Telecentric φ22
TL-PP39-1	WD220Telecentric φ39

90° slide-looking pent prism type

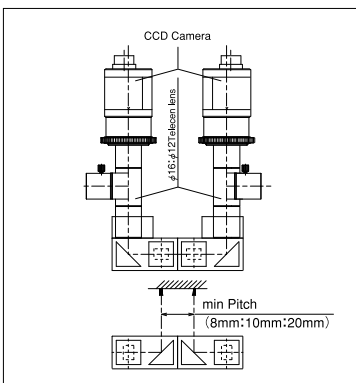


Optical axis can be bent 90 degrees. Effective when there is no space above the object. Monitored image is an erect image because of pent prism.

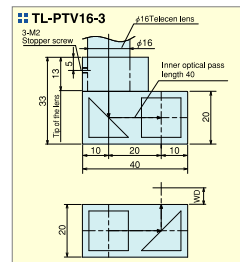
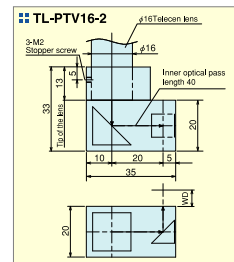
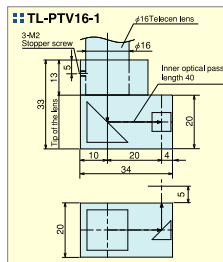
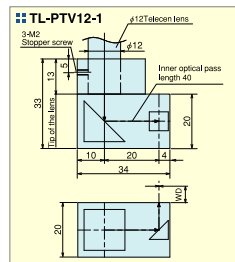


Model	Compatible model
TL-PT12-1	φ12Telecentric (Pitch 8mm/One side 4mm)
TL-PT16-1	φ16Telecentric (Pitch 8mm/One side 4mm)
TL-PT16-2	φ16Telecentric (Pitch 10mm/One side 5mm)
TL-PT16-3	φ16Telecentric (Pitch 20mm/One side 10mm)

Optical axis pitch conversion type



Narrow pitch marks between two points on a micro object can be recognized. Optical axis can be bent 90 degrees twice by two prisms.



Model	Compatible model
TL-PTV12-1	φ12Telecentric (Pitch 8mm/One side 4mm)
TL-PTV16-1	φ16Telecentric (Pitch 8mm/One side 4mm)
TL-PTV16-2	φ16Telecentric (Pitch 10mm/One side 5mm)
TL-PTV16-3	φ16Telecentric (Pitch 20mm/One side 10mm)