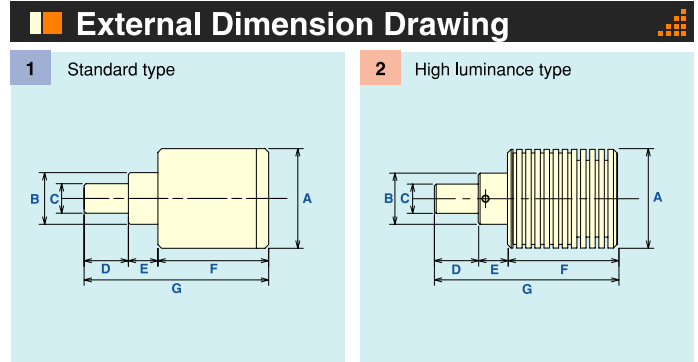


Lighting of Co-axial Spot

High intensity type is suitable for high magnification



Co-axial lighting for a telecentric lens and microscope
 MIV type uses the high intensity of LED, and MHV type uses the power LED, several times brighter than MIV type. MHV type is suitable for applications which require higher magnification. The size at the end of a rod can be changed according to customers' request.



Specification

Model	Color	Size							The Number of LED	Power Consumption	Dimension
		ϕ A	ϕ B	ϕ C	D	E	F	G			
MIV14R	Red	13.9	***	8	12.2	***	15	27.2	1	0.3	1
MIV14W	White	13.9	***	8	12.2	***	15	27.2	1	0.3	
MIV27R	Red	27	14	8	12	8	30	50	7	0.6	
MIV27W	White	27	14	8	12	8	30	50	7	0.8	
MHV18R	Red	18	14	8	12	8	20	40	1	4.2	2
MHV18W	White	18	14	8	12	8	20	40	1	4.2	
MHV27R	Red	27	14	8	12	8	30	50	1	4.2	
MHV27W	White	27	14	8	12	8	30	50	1	4.2	

* Blue, green, and IR are also available. Dimension of "C" can be changed as the custom design.